



CP-1261HS

PC/HD with Audio to HDMI Format Converter



Operations Manual



DISCLAIMERS

The information in this manual has been carefully checked and is believed to be accurate. Cypress Technology assumes no responsibility for any infringements of patents or other rights of third parties which may result from its use.

Cypress Technology assumes no responsibility for any inaccuracies that may be contained in this document. Cypress also makes no commitment to update or to keep current the information contained in this document.

Cypress Technology reserves the right to make improvements to this document and/or product at any time and without notice.

COPYRIGHT NOTICE

No part of this document may be reproduced, transmitted, transcribed, stored in a retrieval system, or any of its part translated into any language or computer file, in any form or by any means—electronic, mechanical, magnetic, optical, chemical, manual, or otherwise—without express written permission and consent from Cypress Technology.

© Copyright 2011 by Cypress Technology.

All Rights Reserved.

Version 1.1 October 2011

TRADEMARK ACKNOWLEDGMENTS

All products or service names mentioned in this document may be trademarks of the companies with which they are associated.

SAFETY PRECAUTIONS

Please read all instructions before attempting to unpack, install or operate this equipment and before connecting the power supply.

Please keep the following in mind as you unpack and install this equipment:

- Always follow basic safety precautions to reduce the risk of fire, electrical shock and injury to persons.
- To prevent fire or shock hazard, do not expose the unit to rain, moisture or install this product near water.
- Never spill liquid of any kind on or into this product.
- Never push an object of any kind into this product through any openings or empty slots in the unit, as you may damage parts inside the unit.
- Do not attach the power supply cabling to building surfaces.
- Use only the supplied power supply unit (PSU). Do not use the PSU if it is damaged.
- Do not allow anything to rest on the power cabling or allow any weight to be placed upon it or any person walk on it.
- To protect the unit from overheating, do not block any vents or openings in the unit housing that provide ventilation and allow for sufficient space for air to circulate around the unit.

REVISION HISTORY

VERSION NO.	DATE DD/MM/YY	SUMMARY OF CHANGE
VR0	16/12/2011	Preliminary Release



CONTENTS

1. INTRODUCTION.....	1
2. APPLICATIONS.....	1
3. PACKAGE CONTENTS.....	1
4. SYSTEM REQUIREMENTS.....	1
5. FEATURES.....	1
6. OPERATION CONTROLS AND FUNCTIONS ...	2
6.1 Front Panel.....	2
6.2 Rear Panel.....	3
7. CONNECTION DIAGRAM.....	3
8. SPECIFICATIONS.....	4
9. SUPPORT RESOLUTION.....	5
10. ACRONYMS.....	6

DRAFT

1. INTRODUCTION

The PC/HD to HDMI format converter converts analog PC-RGBHV/HD-YPbPr and audio signal to digital HDMI format. It allows you to connect the analog HD-15 RGBHV/YPbPr output from PC or Video equipments to the digital HDMI input of the latest HD ready plasma, LCD or DLP TV. Its high bandwidth capability supports a wide range of PC and HDTV resolutions. Further, with phase enhance function that allows users with free adjustment on picture appearance.

2. APPLICATIONS

- PC signal display on HDTV
- RGB signal convert in to HDMI display
- Component signal convert into HDMI signal

3. PACKAGE CONTENTS

- PC/HD with Audio to HDMI Format Converter
- 5V/1.2A DC power adaptor
- Operation Manual

4. SYSTEM REQUIREMENTS

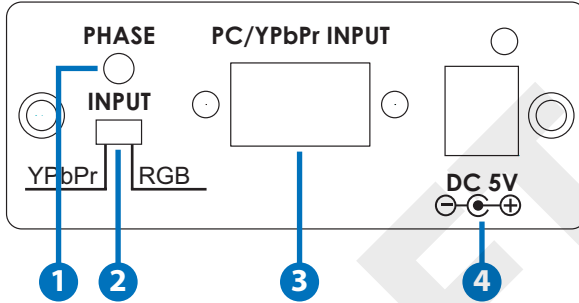
Input PC with D-Sub 15pin/RGB cable or input DVD with 3RCA/YPbPr to D-Sub 15pin cable and output HD TV/monitor with HDMI cable.

5. FEATURES

- Support ultra wide range conversions rate 480i ~ 1080p
- Support audio 2CH of 48kHz
- Support hot plug detection
- Support YCbCr to RGB color space conversion
- Supports input format of RGBHV or YPbPr
- Supports input resolution up to 1920 x 1200@60RB for PC and 1920 x 1080p for HD
- Supports phase adjustment

6. OPERATION CONTROLS AND FUNCTIONS

6.1 Front Panel



1 PHASE

Press this button to adjust the output image when it appears to be blurry or shaking.

2 INPUT YPbPr/RGB

Switch this switch to YPbPr input signal's format is component, and to RGB when input signal's format is RGBHV.

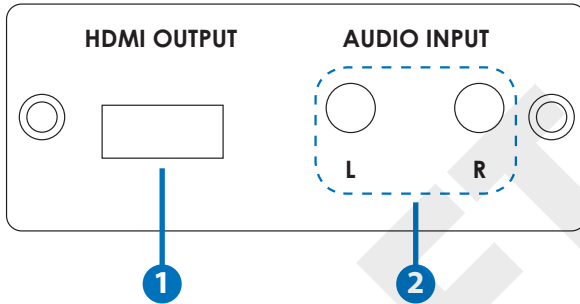
3 PC/YPbPr INPUT

This slot is to use 3 RCA to VGA adaptor cable included in the package when input signal's format is component and use D-Sub 15pin cable when input signal's format is VGA.

4 DC 5V & POWER LED

This slot is to plug with 5V DC power adaptor included in the package and connect it into the AC wall outlet for power supply. The LED will illuminate when the device is connected with power supply.

6.2 Rear Panel



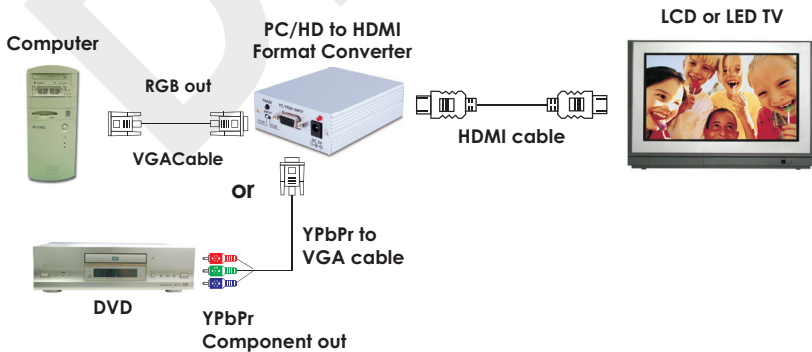
1 HDMI OUTPUT

This slot is where you connect the HDMI display for output image on the screen.

2 AUDIO INPUT L/R

These slots are to connect with audio source equipment such as DVD or Blu-ray player for stereo audio input with RCA jacks cable.

7. CONNECTION DIAGRAM





8. SPECIFICATIONS

Operation Frequency	165MHz
Input Port	1 x D-Sub 15pin, 1 x L/R RCA jack
Output Port	1 x HDMI
Input Signal	RGB: 0.7, Vp-p 75 ohm, H+V:3~5Vp-p or Y: 1Vp-p 75 ohm, Pv/Pr: 0.7 Vp-p, 75 ohm
Audio Input	Analog audio L/R
ESD Protection	Human body model: ± 8 kV (air-gap discharge) ± 4 kV (contact discharge)
Power Supply	5V DC/ 1.2A switching power adaptor with universal plug. CE/FCC/UL certified
Dimensions	76 mm (W) \times 105 mm (D) \times 30 mm (H)
Weight	190 g
Chassis Material	Aluminum
Silkscreen Colour	Silver
Power Consumption	3.6 W
Operating Temperature	0 °C~40 °C / 32 °F~104 °F
Storage Temperature	-20 °C~60 °C / -4 °F~140 °F
Relative Humidity	20~90 % RH (non-condensing)

9. SUPPORT RESOLUTION

Support Timing \ Input Format	RGB	YPbPr
480i60,p60		✓
576i50,p50		✓
720p50,p60	✓	✓
1080p24,p25,p30		✓
1080i50,i60		✓
1080p50,p60	✓	✓
640x480@60,72,75,85	✓	
720x400@70	✓	
800x600@56,60,72,75,85	✓	
1024x768@60,70,75,85	✓	
1152x864@75	✓	
1280x720@60cvt	✓	
1280x768@60RB,60	✓	
1280x800@60RB,60,75	✓	
1280x960@60	✓	
1280x1024@60,75,60cvt	✓	
1366x768@60RB,60	✓	
1440x900@60RB,60,75	✓	
1600x1200@60	✓	
1680x1050@60RB,60	✓	
1920x1080@60cvt	✓	
1920x1200@60RB	✓	

10. ACRONYMS

ACRONYM	COMPLETE TERM
HDMI	High-Definition Multimedia Interface
LCD	Liquid Crystal Display
LED	Light-Emitting Diode
RGB	Red Green Blue

DRAFT



CYPRESS TECHNOLOGY CO., LTD
Home page: <http://www.cypress.com.tw>